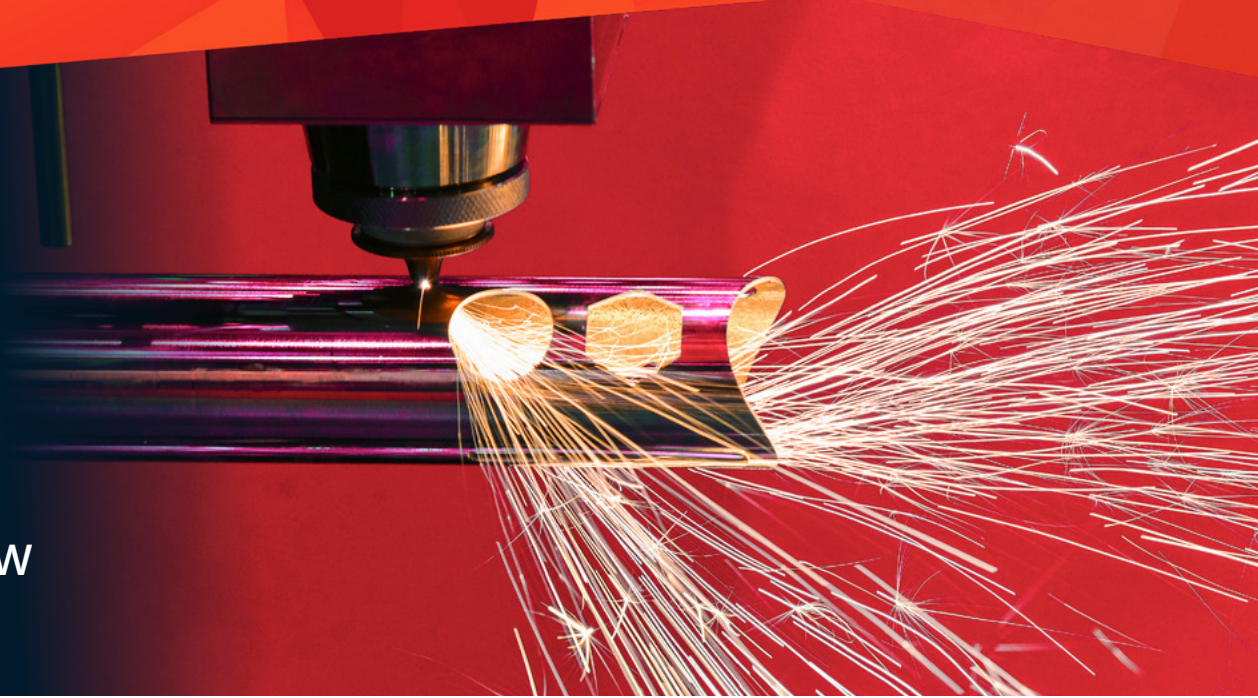




## SigmaTUBE SW



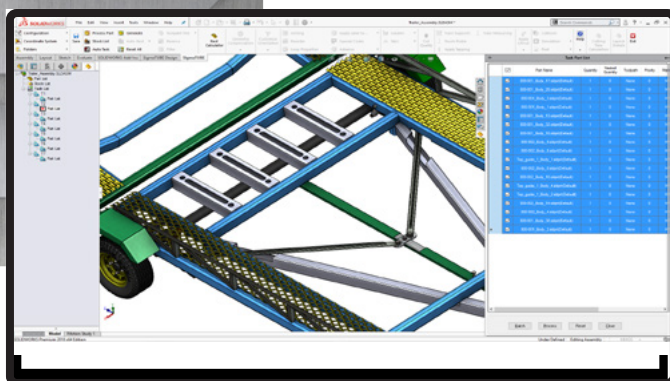
### Complete Tube and Pipe Nesting within SOLIDWORKS

#### ✚ Easy, Intelligent, Versatile

With the ability to break down an entire tube assembly, SigmaTUBE SW can separate parts by nesting tasks, nest each part for optimum yield, and apply advanced toolpath techniques all in a matter of seconds. SigmaTUBE software supports laser and plasma cutting for tubes of any shape along with all common structural profiles.

#### ✚ Feature Recognition for Assembly Importing and Work Orders

SigmaTUBE SW automatically examines the entire assembly to identify which parts are applicable for programming. Parts are then automatically grouped according to their profile and material. Quoting the complete part assembly is made easy by integrating SigmaQUOTE to provide support for costing and scheduling work orders.



- Flexible part creation
- Simple and powerful toolpathing
- Fully 3D environment
- Easy reports and data management

## Flexible Part Creation

- Imports all major native CAD files for parts and assembly processing
- A parametric shape library helps designers create tube and pipe parts instantly
- Advanced profile and feature recognition gives users more flexibility to design parts in a wide variety of formats and methods

## Simple and Powerful Toolpathing

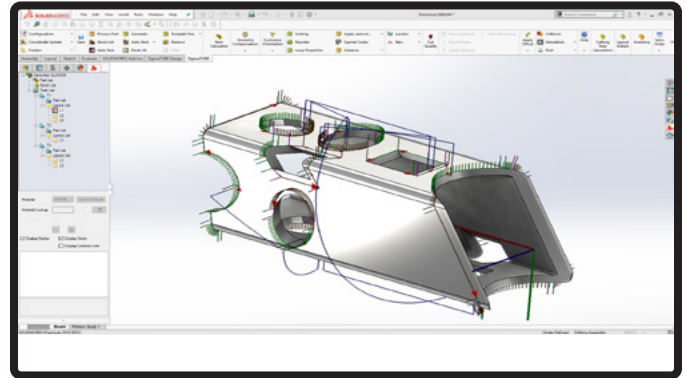
- Automatic and manual control for quality assignment provides quick and accurate cutting toolpaths
- Weld preparation toolpaths for pipe joints are easily added to reduce model rework
- Seamless toolpath compensation for non-bevel machines eliminates the need to redraw parts to create accurate and usable toolpaths
- Common-line and partial common-line nesting support reduces cutting and piercing time as well as minimizes material waste

## Fully 3D Environment

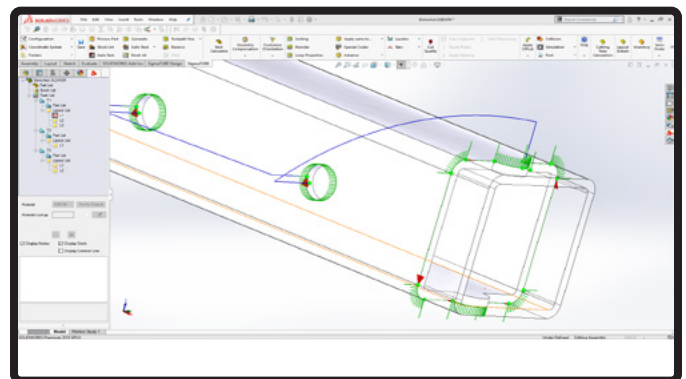
- 3D view lets users visualize the movement of machine head and nested parts including rapids
- Powerful editing controls can correct collision alerts and customize cutting orientation
- Flexibility to program single parts, assemblies, and even modify individual toolpath elements on the nest level

## Easy Reports and Data Management

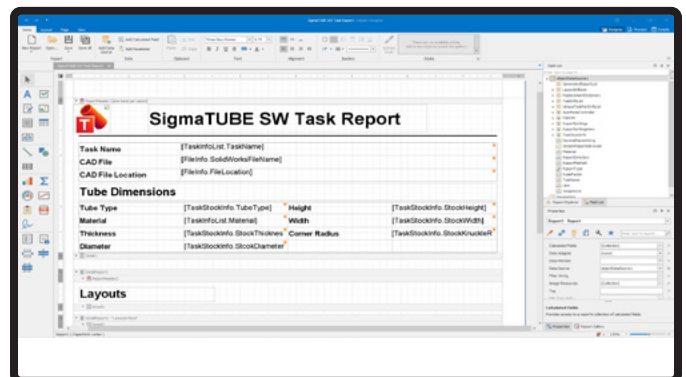
- Customizable reports detail the cutting process with part and layout imaging as well as valuable details about the cutting process
- Inventory control allows for accurate tracking of available inventory and remnants for all supported tube shapes



Automatically recognize features within complex cutting geometries



Visualize nests and toolpath elements in a fully 3D environment



Customize report files with the built-in editor